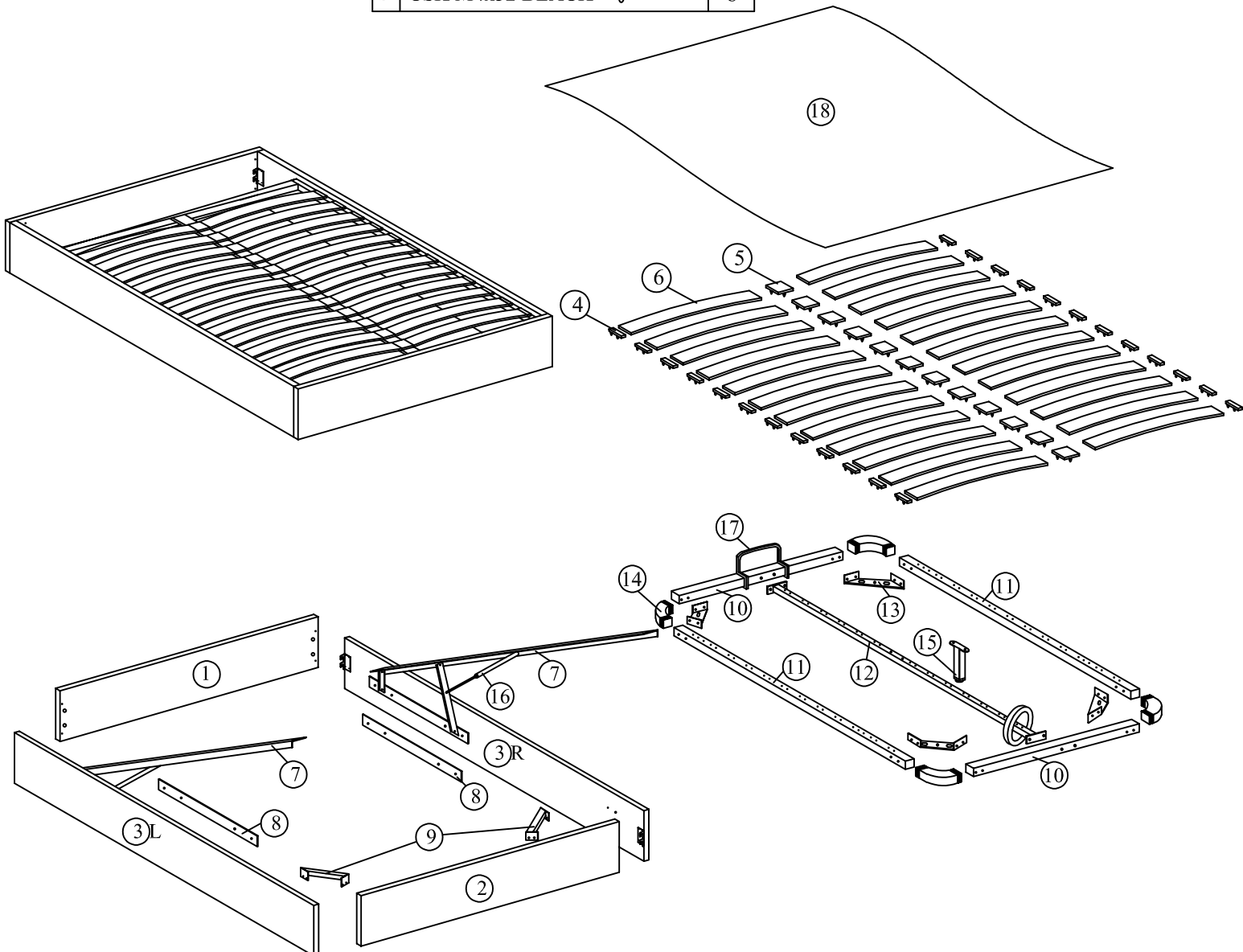


# Assembly Instructions

Model: BED 8006  
1400 X 1930

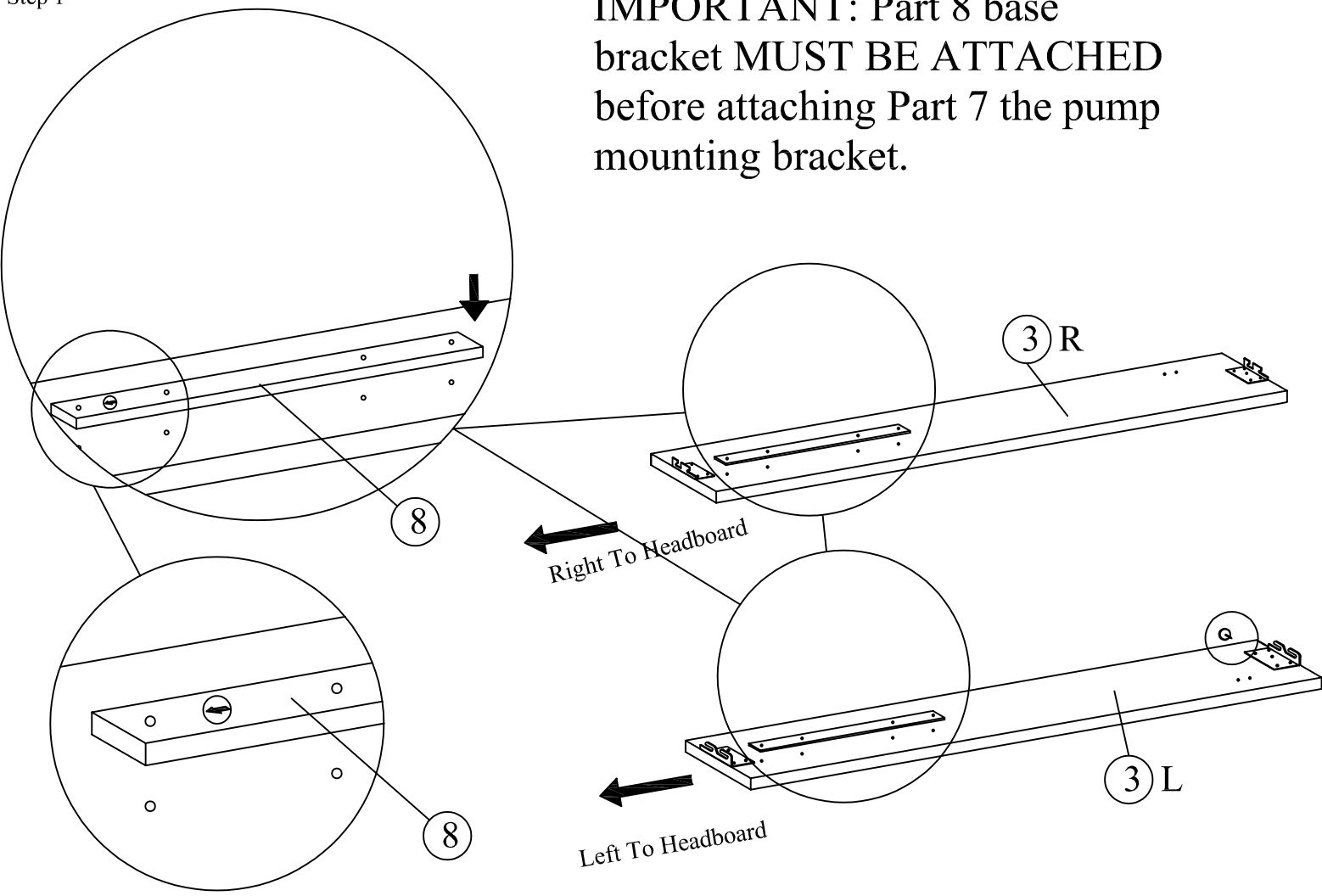
Part List	QTY
1 Headboard	1
2 Footboard	1
3 Side Rail	2
4 End Holder	24
5 Middle Holder	12
6 Slat 675mm	24
7 Pump Mounting Bracket	2
8 Bracket Base	2
9 FB / SR Angle Bracket	2
10 Main Frame (Front & End)	2
11 Main Frame (Side)	2
12 Center Rail	1
13 Metal Corner Bracket	4
14 Rubber Corner Connector	4
15 Support Legs 215mm	1
16 Gas Spring	2
17 Stopper	1
18 Black Woven	1

Hardware	QTY
A JCBC M6 X 20 (Black)	8
B JCBC M6 X 40 (Black)	8
C JCBC M6 X 50 (Black)	18
D JCBB M8 X 50 (Black)	10
E M6 Spring Washer (Black)	52
F M6 Flat Washer (Black)	52
G M6 Hex Nut (Black)	18
H M8 Spring Washer (Black)	20
I M8 Flat Washer (Black)	20
J M8 Hex Nut (Black)	10
K M4 Allen Key	1
L M5 Allen Key	1
M M6 Spanner	1
N M8 Spanner	1
O Fabric Loop Lifter	1
P Adjuster	1
Q JCBB M8 X 20	8
R White Nail	8
S CSK M4x32 BLACK	8

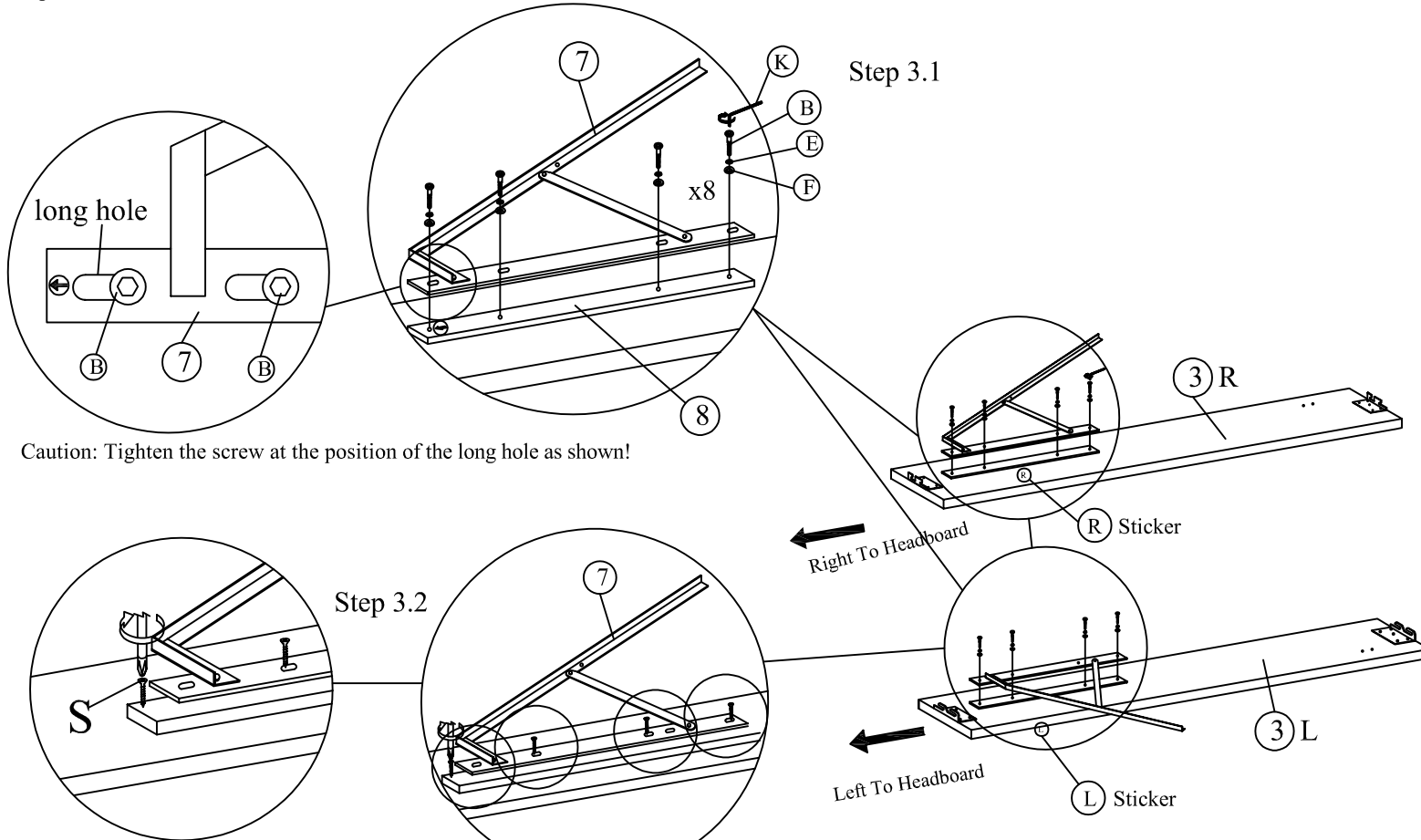


Step 1

**IMPORTANT: Part 8 base bracket MUST BE ATTACHED before attaching Part 7 the pump mounting bracket.**



Step 2

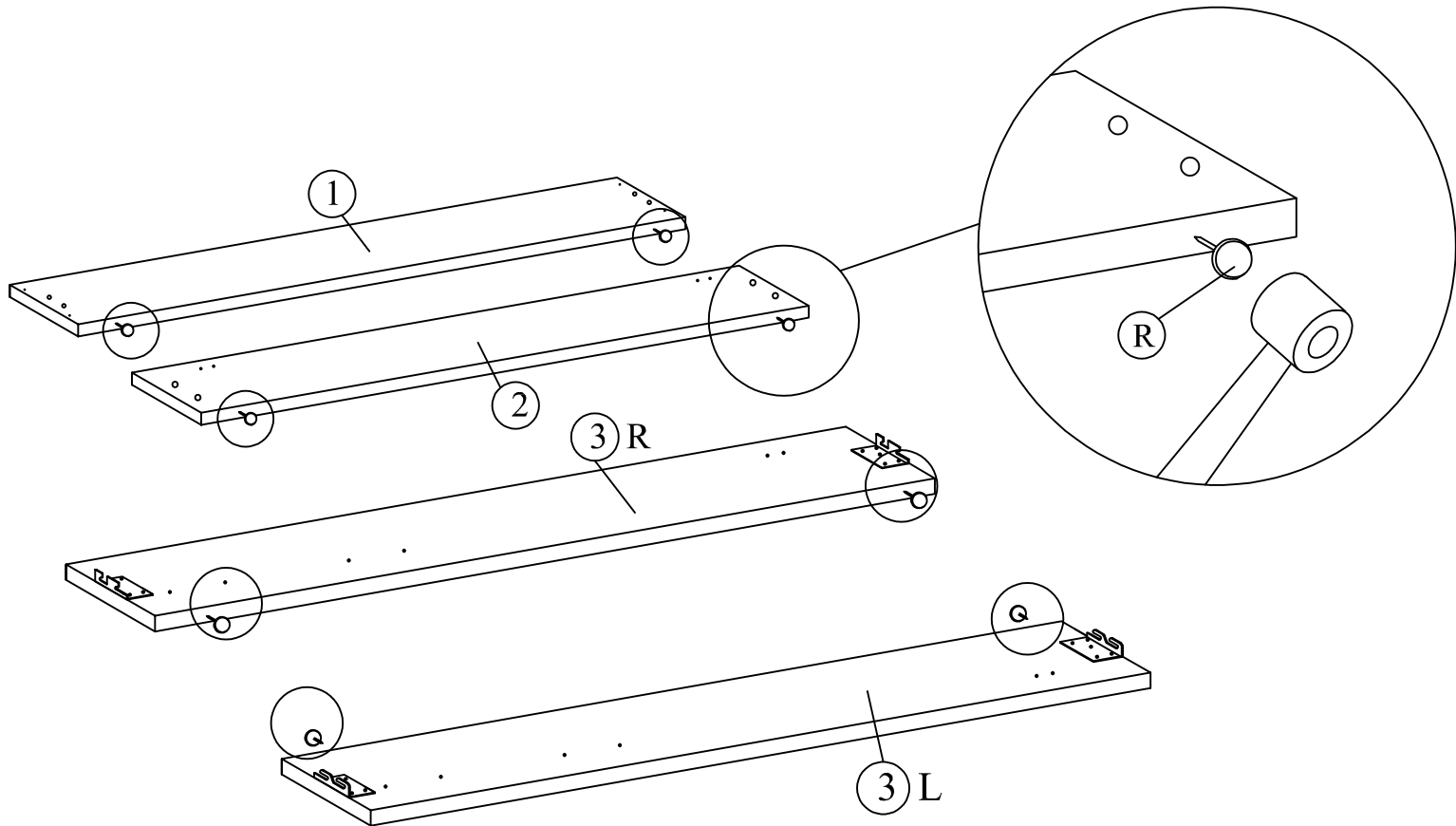


Caution: Tighten the screw at the position of the long hole as shown!

Caution: Tighten the screw Part S at the position as shown!

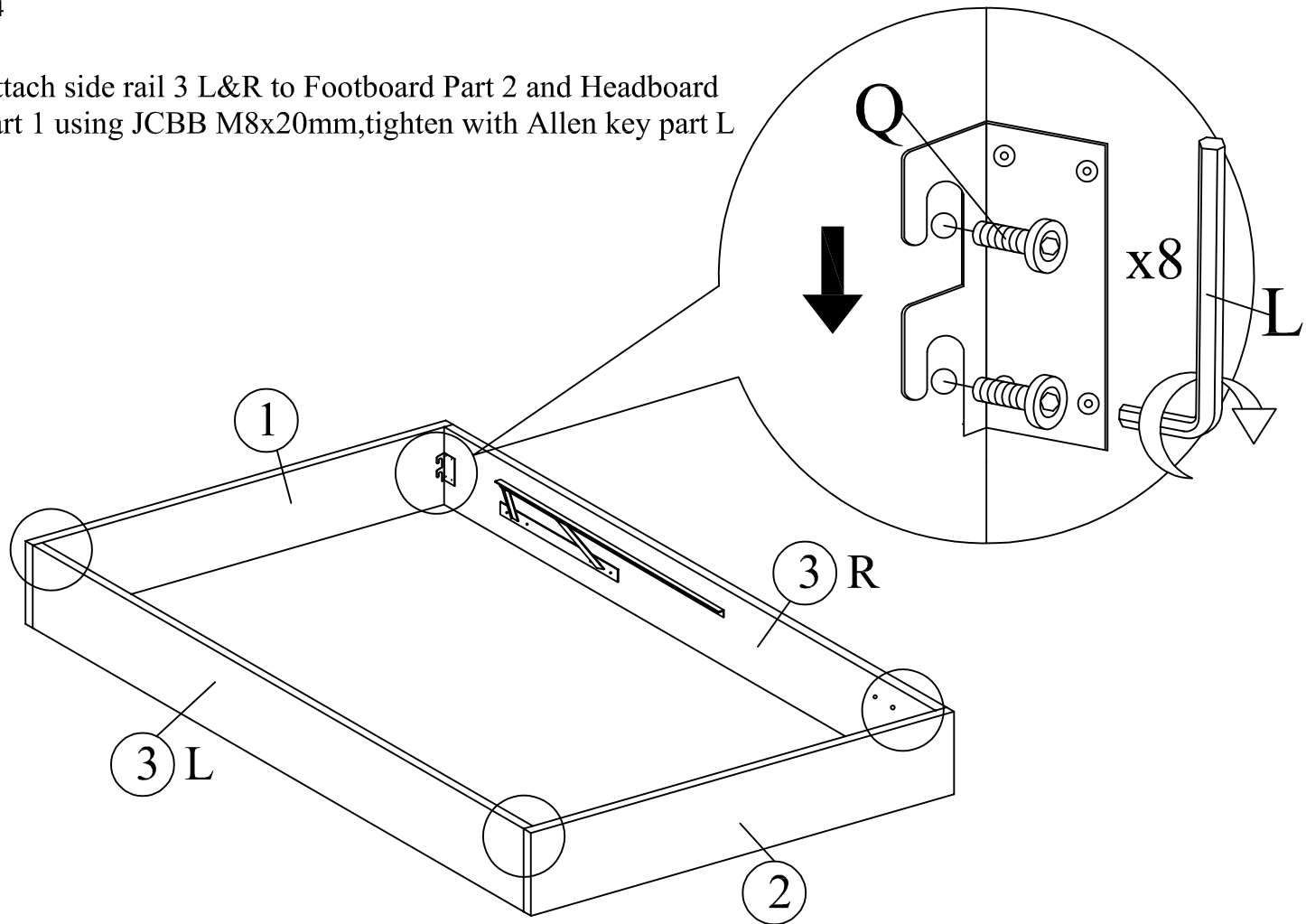
Step 3

Attach white nail legs to part 1,2,3R and 3L using hammer



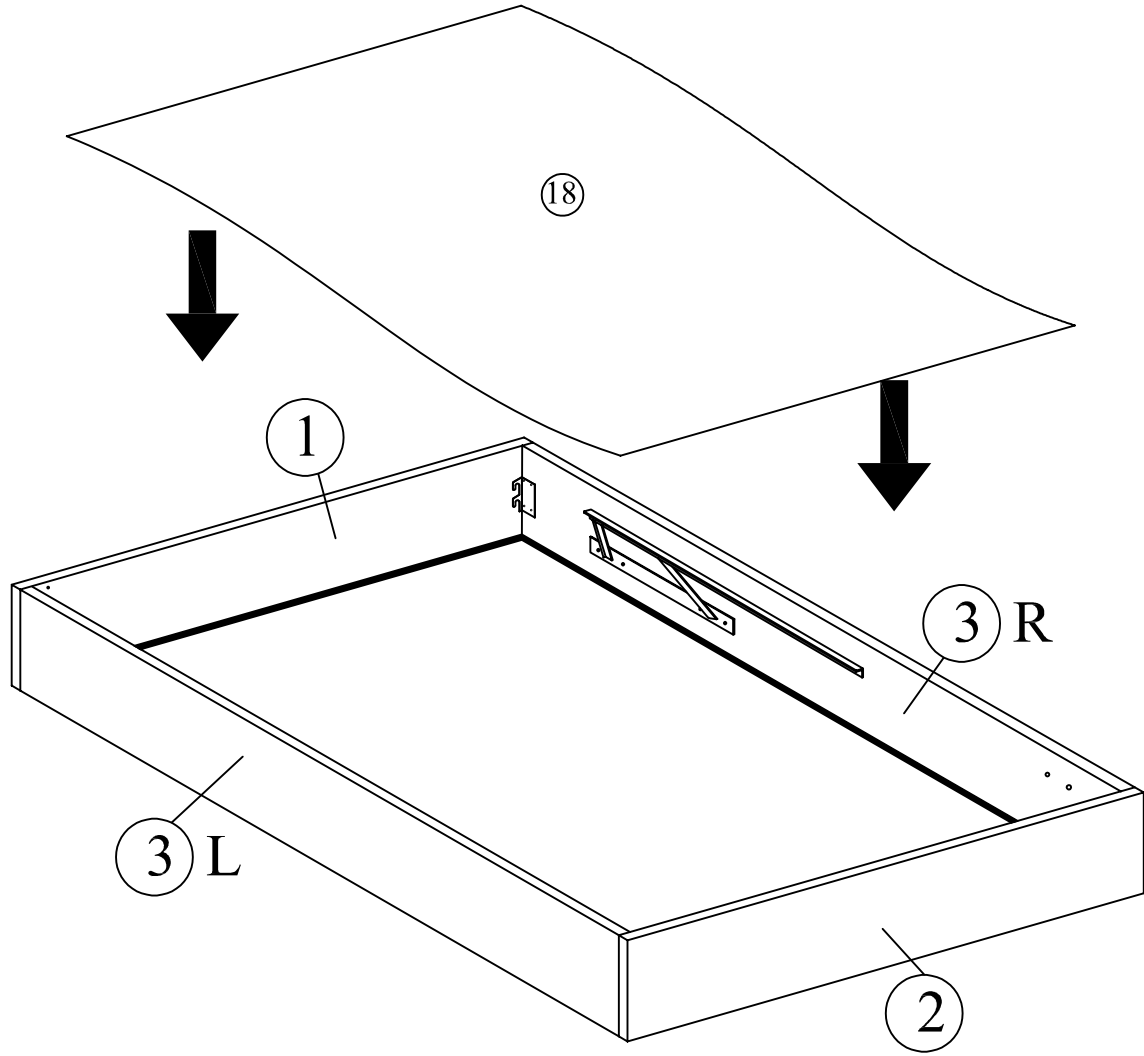
Step 4

Attach side rail 3 L&R to Footboard Part 2 and Headboard Part 1 using JCBB M8x20mm, tighten with Allen key part L



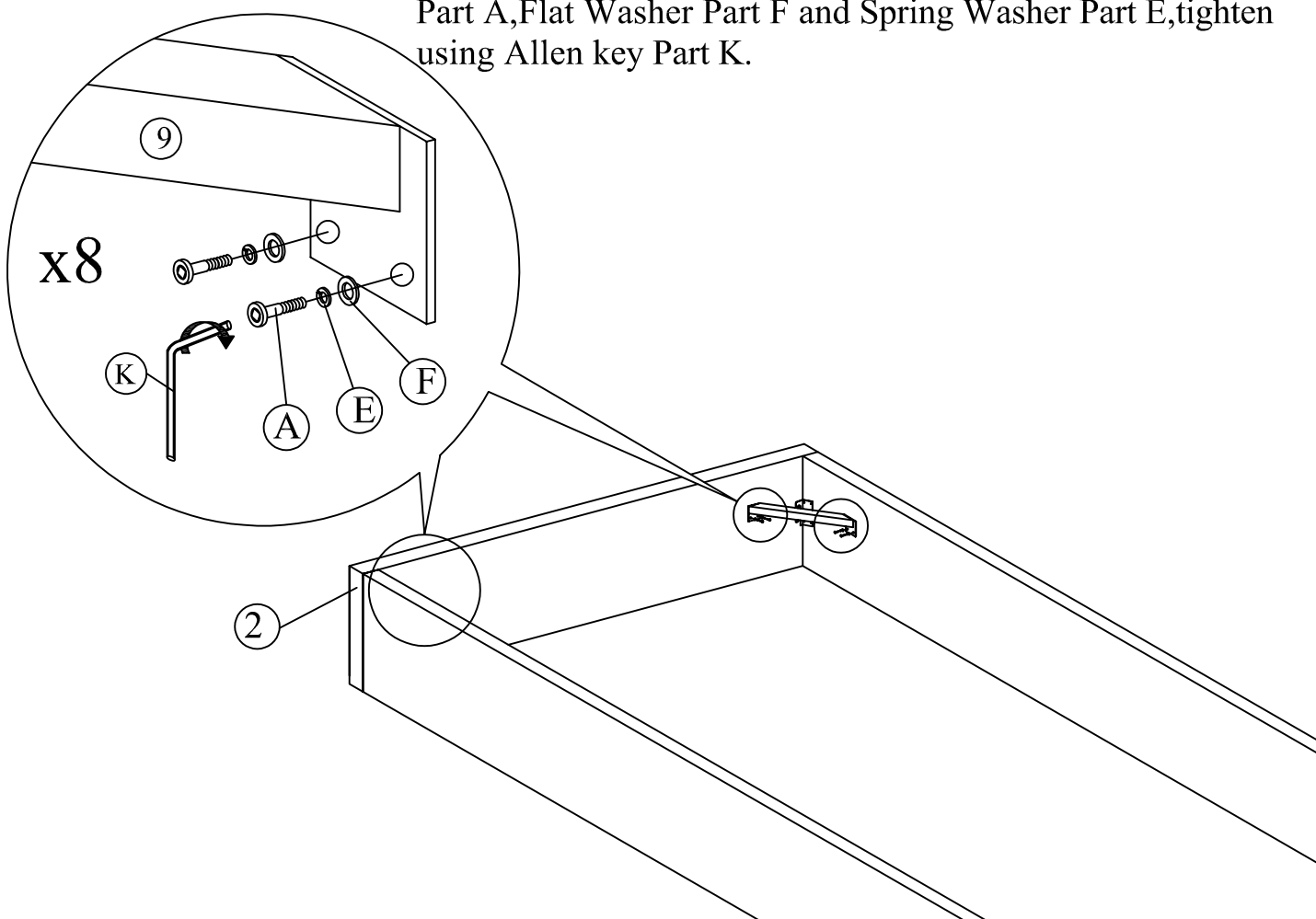
Step 5

Place the non black woven at the top of bed base and attached with the velcro.



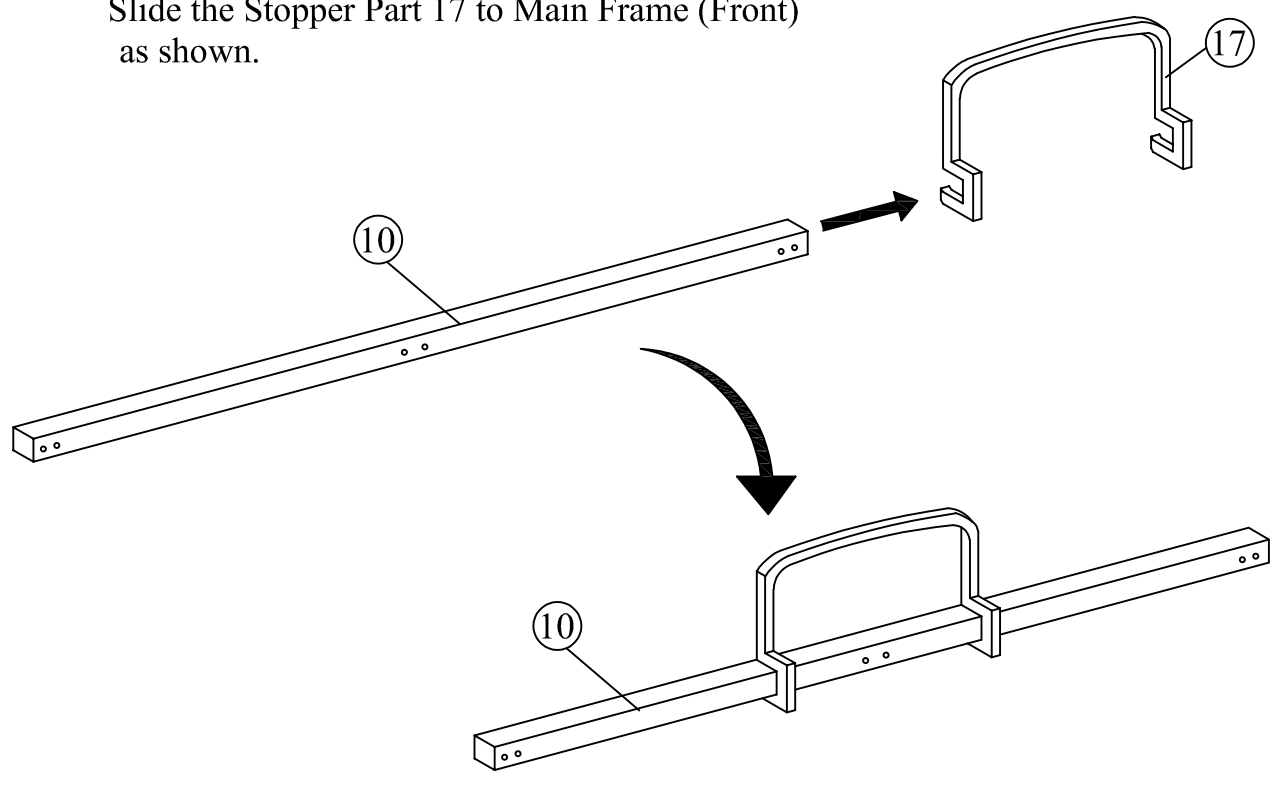
Step 6

Attach Part 9 to Footboard Part 2 using JCBC M6 x 20 (black) Part A, Flat Washer Part F and Spring Washer Part E, tighten using Allen key Part K.



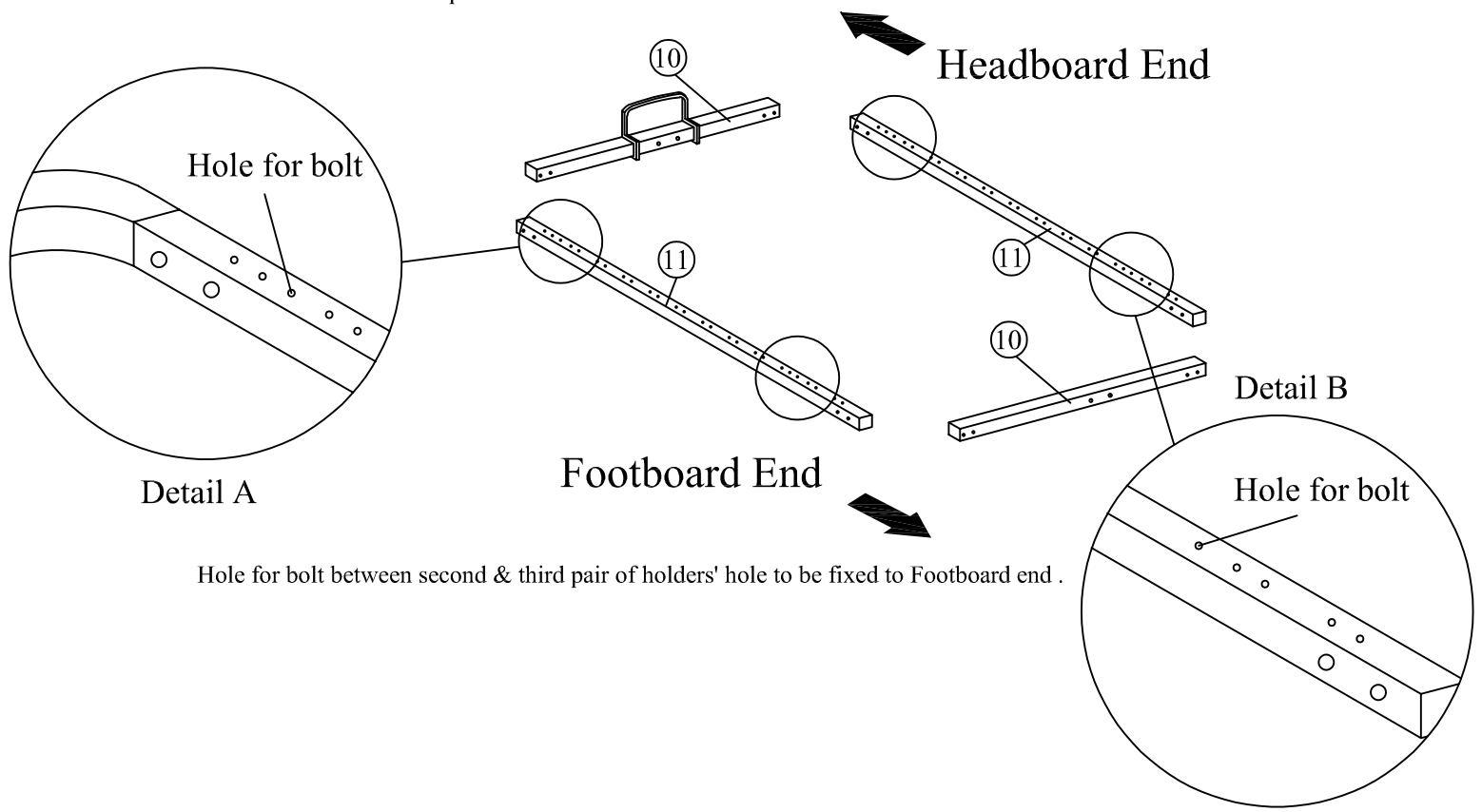
Step 7

Slide the Stopper Part 17 to Main Frame (Front) as shown.



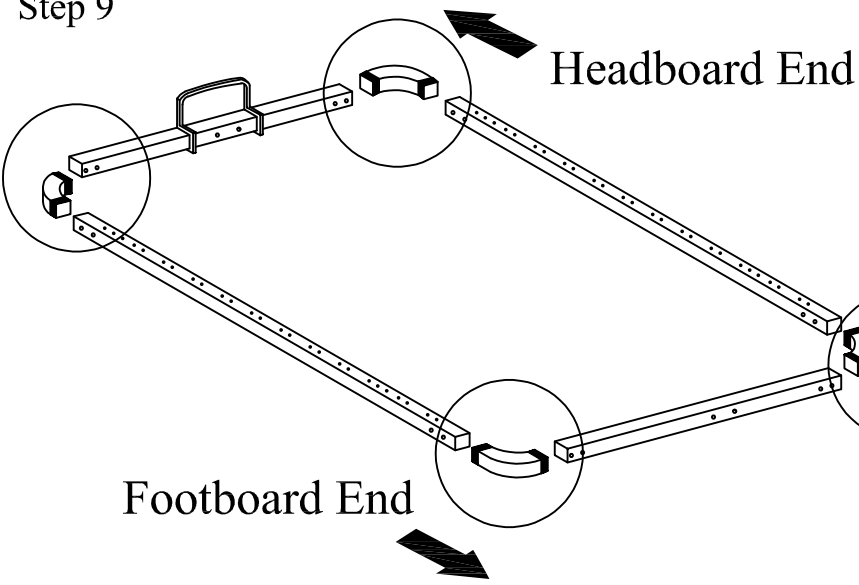
Step 8

Hole for bolt between first & second pair of holders' hole to be fixed to headboard end.

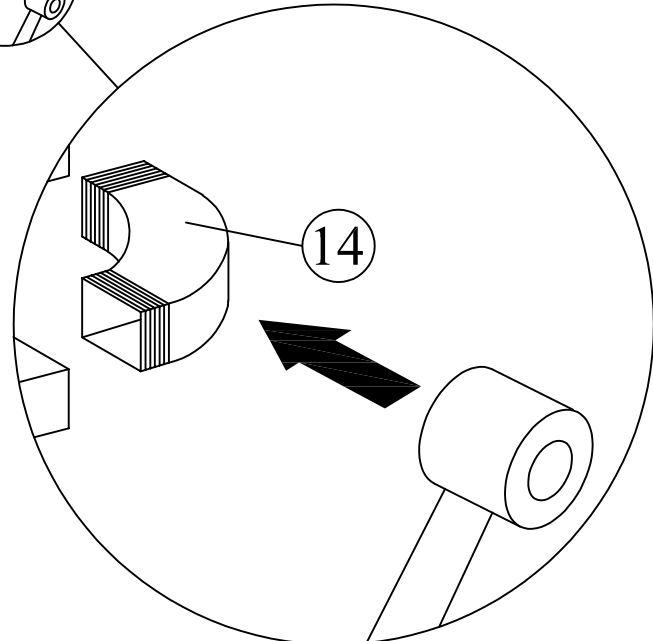


Hole for bolt between second & third pair of holders' hole to be fixed to Footboard end .

Step 9

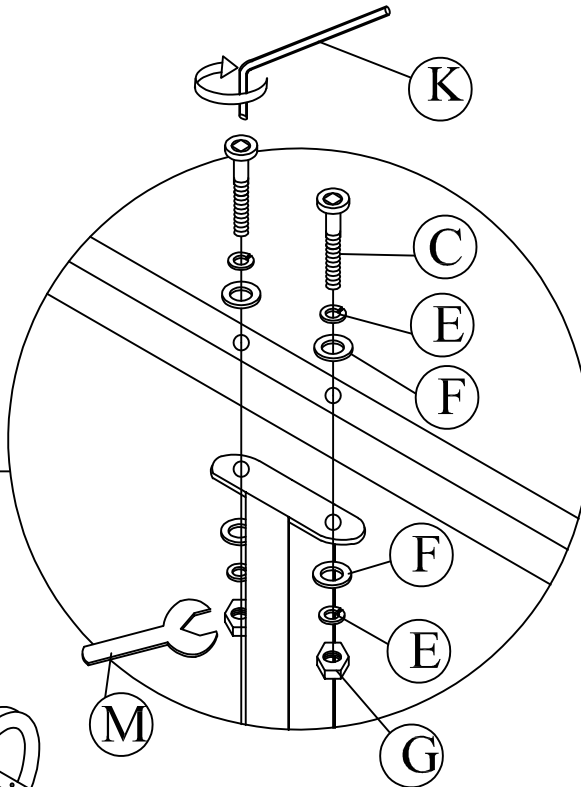
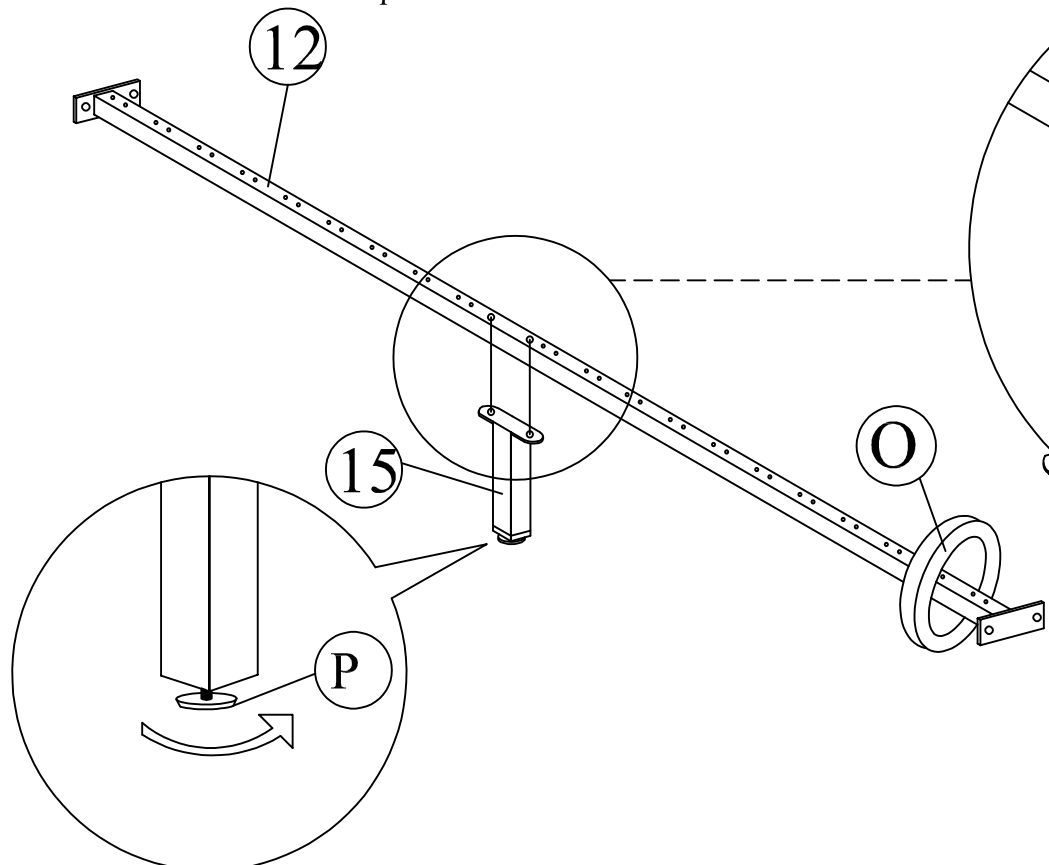


Attach Rubber Corner Connector Part 14 to Part 10 and 11 as shown.



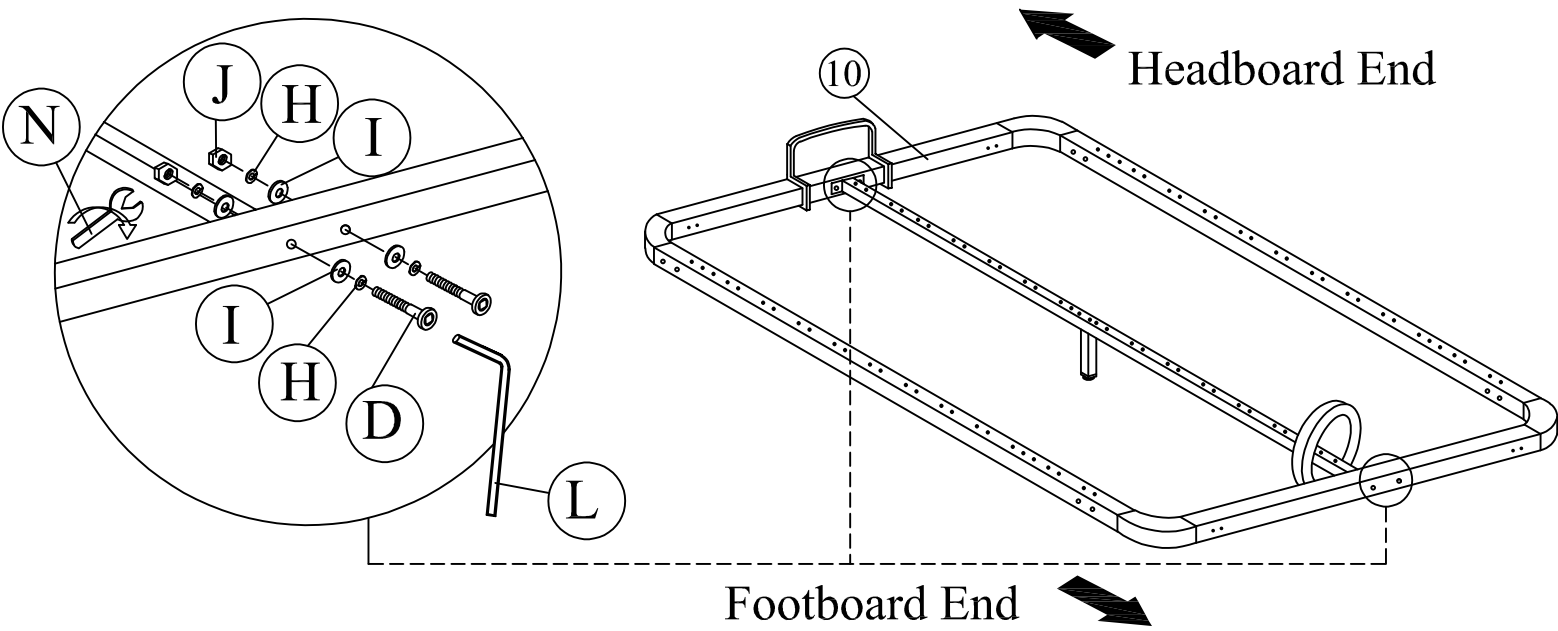
Step 10

Attach Support Leg Part 15 to Center Rail Part 12, tighten using JCBC M6 x50 (black) Part C, Flat Washer Part F and Spring Washer Part E, tighten using Allen key Part K. Put the Fabric Loop Lifter at center rail as shown.



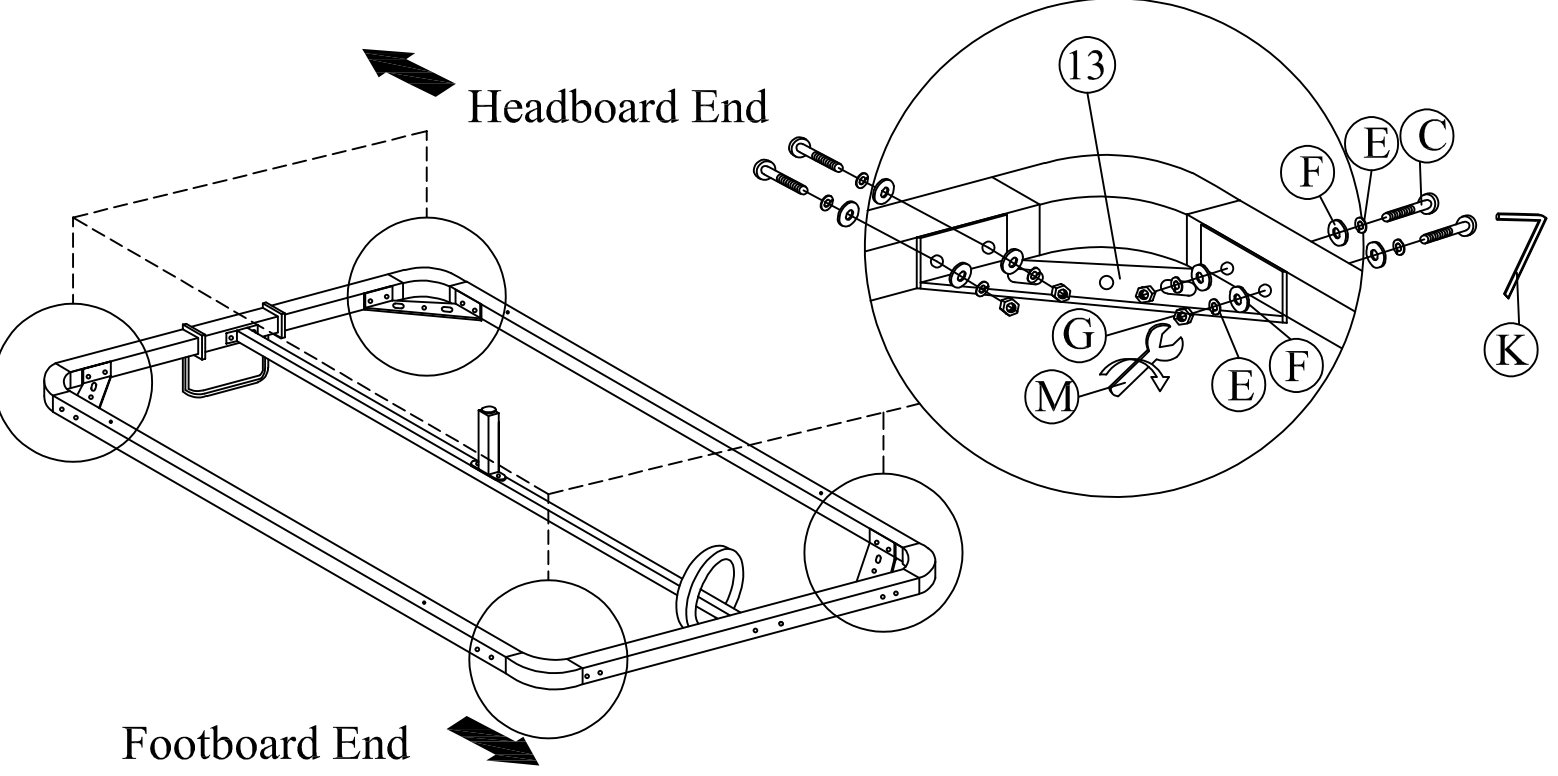
Step 11

Attach Center Rail Part 12 to metal frame and tighten using JCBB M8 x50 (black) Part D, Flat Washer Part I, Spring Washer Part H and Nut Part J. Tighten using Allen key Part L and Spanner Part N.



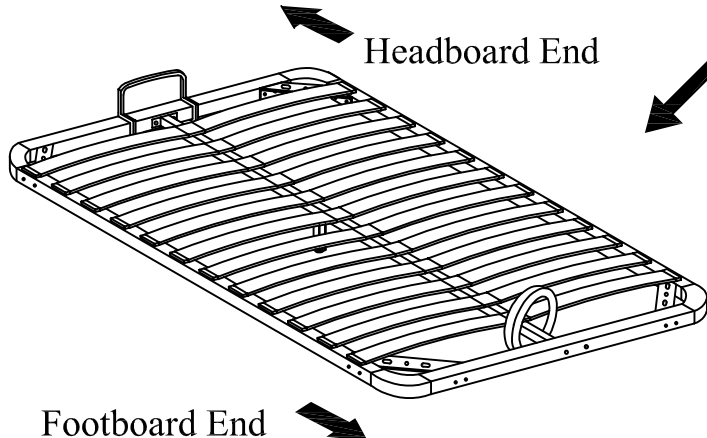
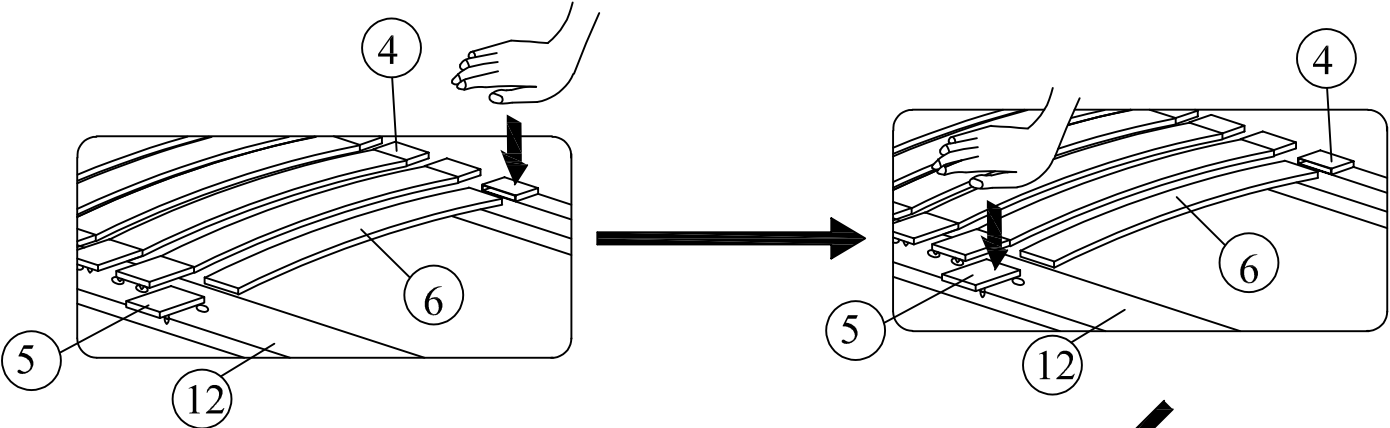
Step 12

Attach Metal Corner Bracket to metal frame and tighten using JCBC M6 x50 (black) Part C, Flat Washer Part F, Spring Washer Part E and Nut Part G. Tighten using Allen key Part K and Spanner Part M.

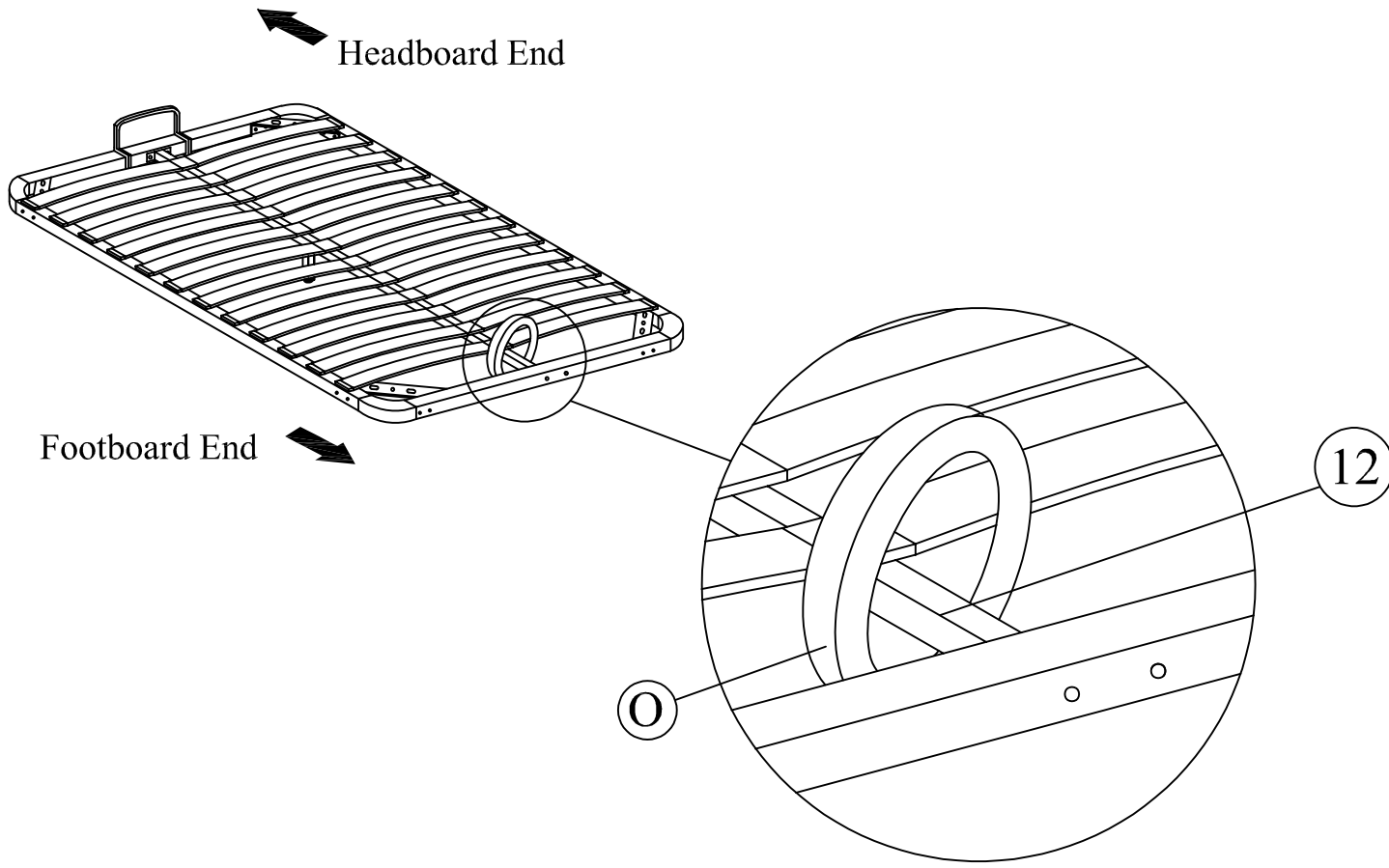


# Step 13

Fit Slat Holders (4) first & attach to outside rail , then fit slat holders (5) and attach to center rail (Note : fit 4 first then 5)



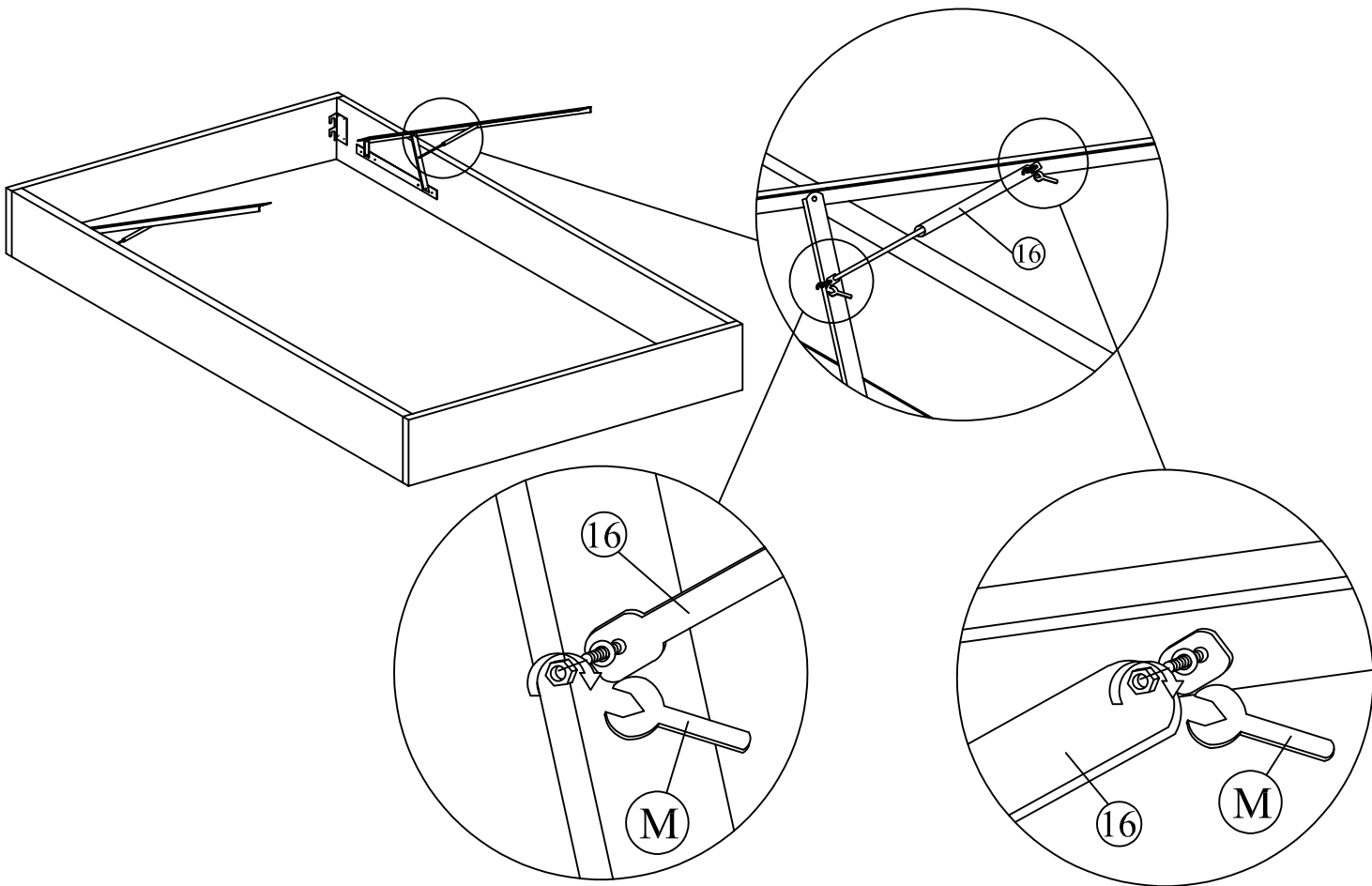
# Step 14



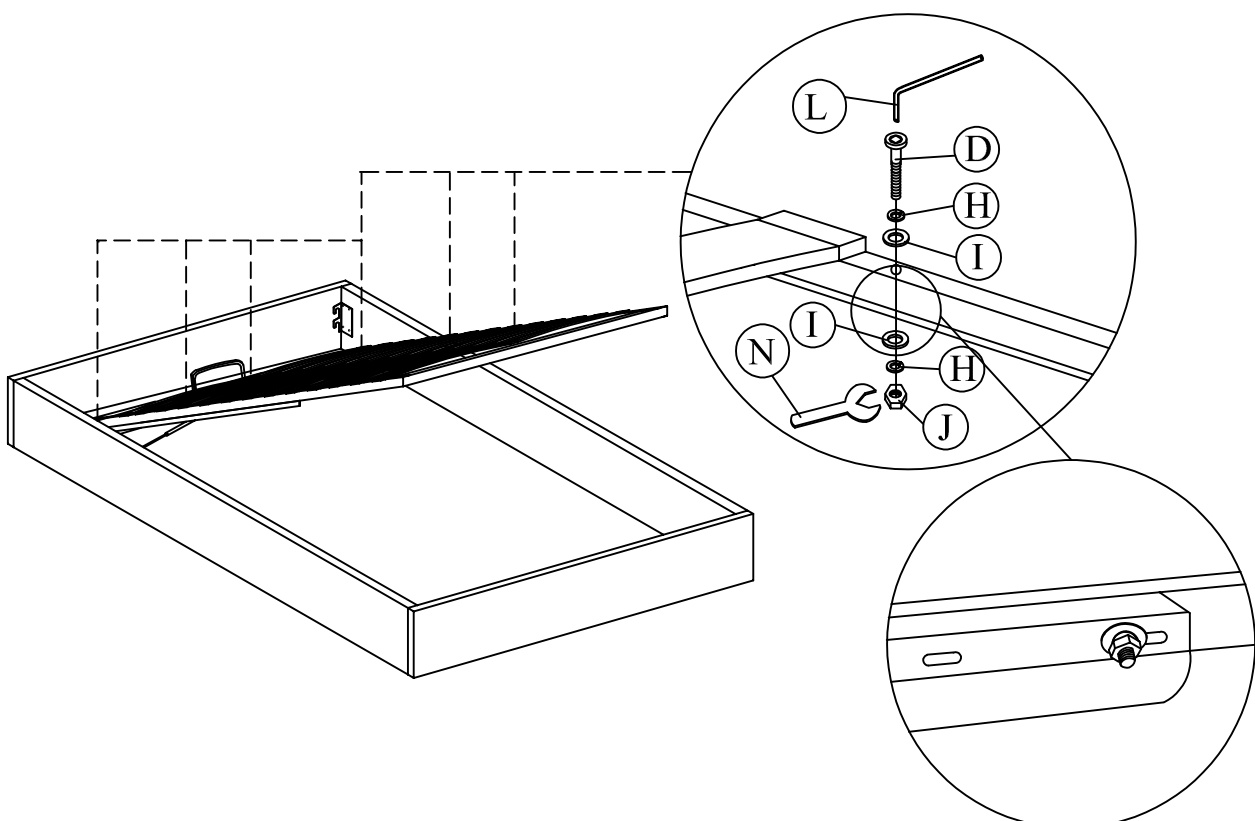


Step 15

Attach Gas Spring Part 16 to Pump Mounting Bracket Part 7, then fix the nut using Spanner Part M.



Step 16



Caution: Adjust the screw at the position of the long hole as shown, then tighten the screw!

## **Additional Information:**

- Caution. This bed uses a pressurised mechanism.
- Use caution when operating - Always use two hands at arm's length, and only where illustrated on the product.
- You must ensure the mattress is on the bed frame before lifting the mechanism - Failure to do so may result in injury.
- Please ensure Children and pets are kept away from the bed when operating the bed mechanism.
- If removing the mattress, make sure that the frame is secured as it could flip open.
- Only use the storage compartment when the frame is fully raised in the 'up' position.
- No children and animals are left unattended when the frame is in the 'up' position.
- Do not remain on the bed whilst the lifting mechanism is in use.
- Beware of Entrapment - Keep both hands clear of mechanism when operating the mechanism.
- When lifting the bed remove all bedding - Except the fitted sheet.

